

## Powerful Solutions Partner

Micropower Group is a complete system supplier of industrial Lithium-Ion batteries, battery chargers and power supplies. With own production and R&D, we take responsibility for the whole chain where we develop, design and manufacture and supply battery and battery charging products and systems to customers and distributors worldwide.

MILITARY ABC BATTERY CHARGER



## ROBUST & INTELLIGENT BATTERY CHARGERS FOR MILITARY



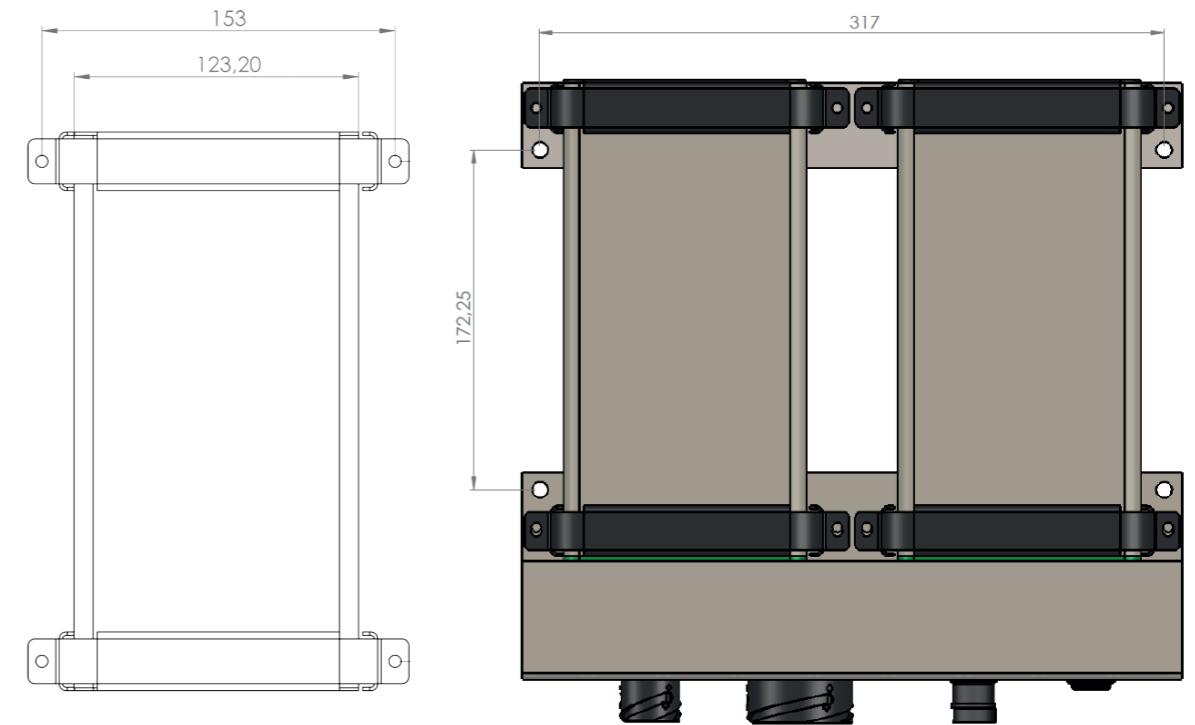
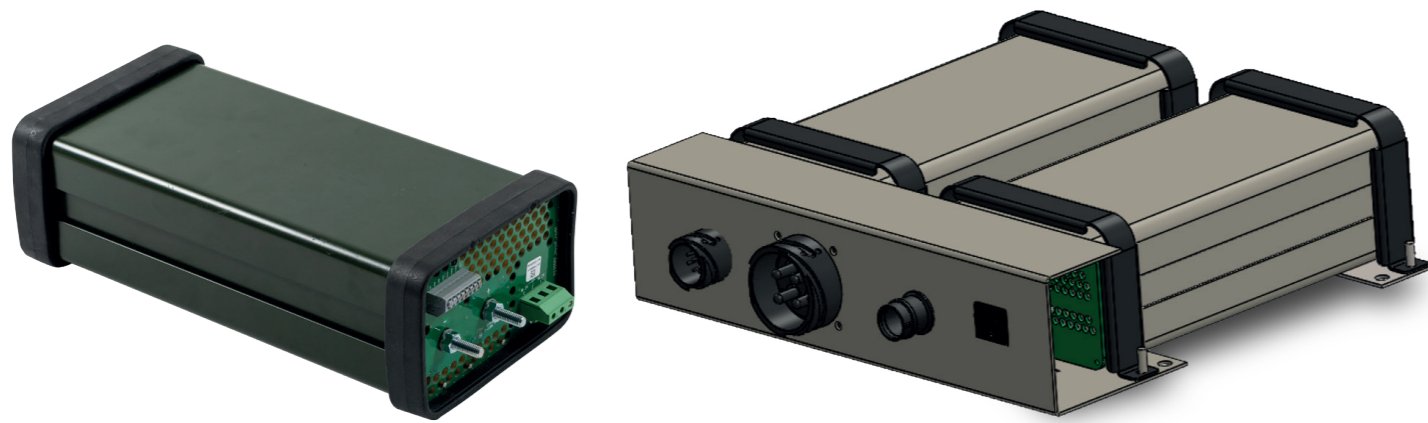
Micropower Group AB  
Idavägen 1  
SE-352 46 Växjö, Sweden

Phone: +46 (0)470 727 400  
sales@micropower.se  
www.micropower-group.com

**MICROPOWER GROUP**<sup>™</sup>  
POWERFUL SOLUTIONS PARTNER

# FOR ALL TYPES OF LEAD-ACID BATTERIES

– with switch mode technology 



- High efficiency >88%
- Open lead acid/Gel/Agm
- Compact design
- Metal enclosure, IP20
- Easy installation
- External indicator
- Low weight
- Temperature compensated
- MIL STD 461F
- MIL-STD 1275D
- RAL 1013
- Up to 24V/120A

## About the product

This product from Micropower is a high efficient, intelligent and very compact battery charger for all types of lead acid batteries with the latest switch mode technology in power conversion.

The internal micro controller controls the charging phase with pre-defined charging algorithms that suits the battery type.

The charging phases are monitored and adjusted continuously during the charging process to assure an efficient and safe charging.

The ABC military class charger can be delivered with a power up to 3200W with charging voltage nom. 12V and/or 24V.

The product is suitable both in marine and automotive military applications.

- MIL-STD 461 F, Army ground applications
- MIL-STD 1275D
- Vibration/shock according to IEC 60028-2-6
- Humidity IEC 68-2-30 5-98% non condensing

## Specifications

Model	ABC MILITARY CLASS
Input voltage	90-265VAC (decreased output <190VAC)
Output voltage (nom)	12VDC / 24VDCz
Output current	60A - 200A
Ambient temperature	-40Co - 50Co
Efficiency	>88%
Battery connection	Glenair CA3102E24
Power connection	Shucko
Encapsulation	IP20, RAL 1013
Measurments (WxLxH in mm)	280 x 280 x 100 / 255 x 125 x 90
Weight	4,8Kg / 2.1Kg
Battery capacity	120Ah - 1200Ah